



# XEVC-0511-E1RM-LP

Project \_\_\_\_\_  
 Item \_\_\_\_\_  
 Quantity \_\_\_\_\_  
 Date \_\_\_\_\_

**Model**  
**CHEFTOP MIND.Maps™ ONE COUNTERTOP**

|   |                        |
|---|------------------------|
| Combi oven  | Electric               |
| 5 trays GN 1/1                                    | Hinge on the left side |
| 9.5" Touch control panel                          |                        |
| Voltage: 380-415V 3N~ / 220-240V 3~ / 220-240V 1~ |                        |

### Description

Technologically advanced combi oven able to handle different cooking processes (dehydrating, steaming, low temperature cooking, sous vide cooking, roasting, grilling, pan frying, regeneration regeneration and plate regeneration) and baking process (fresh and frozen bakery and pastry). Thanks to Unox Intensive Cooking technology that guarantees perfect results for each process.



### Standard cooking features

#### Programs

- 1000+ Programs
- **MIND.Maps™**: draw the cooking processes directly on the display

#### Manual cooking

- **Temperature**: 30 °C – 260 °C
- Up to 9 cooking steps
- **CLIMA.Control**: humidity or dry air set by 10%
- Delta T cooking with core probe

### Advanced and automatic cooking features

#### Unox Intensive Cooking

- **DRY.Maxi™**: rapidly extracts the humidity from the cooking chamber
- **STEAM.Maxi™**: produces saturated steam
- **AIR.Maxi™**: manage fans auto-reverse and pulse function
- **CLIMALUX™**: total control of the humidity in the cooking chamber





# XEVC-0511-E1RM-LP

## Key features

- **ROTOR.Klean™**: automatic washing system
- Cooking chamber in high-resistance AISI 304 stainless steel with rounded edges
- Double glass
- Cooking chamber lighting through LED lights embedded in the door
- Tray supports with anti-tip system
- Drip collection system integrated in the door which works even when the door is open
- 4-speed fan system and high-performance heating elements
- Integrated DET&Rinse™ detergent container
- **Wi-Fi / USB data**: download/upload HACCP data
- **Wi-Fi / USB data**: download/upload programs

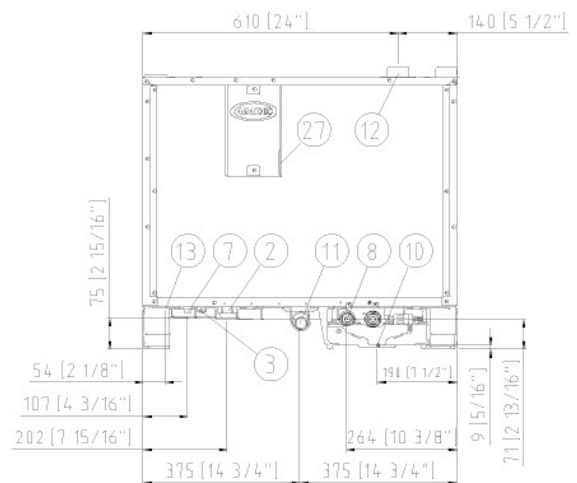
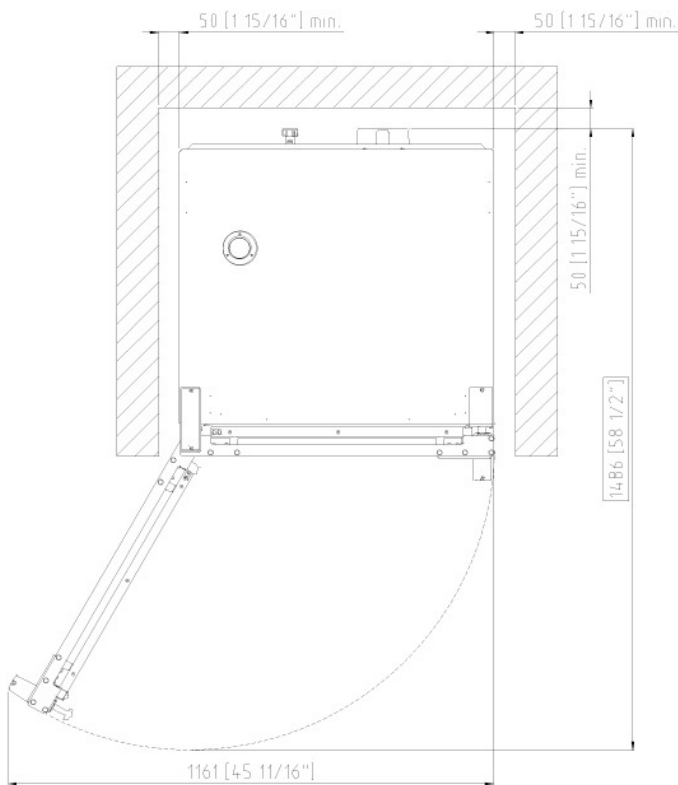
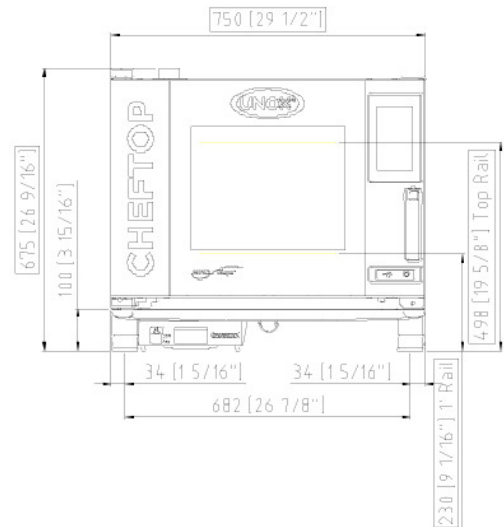
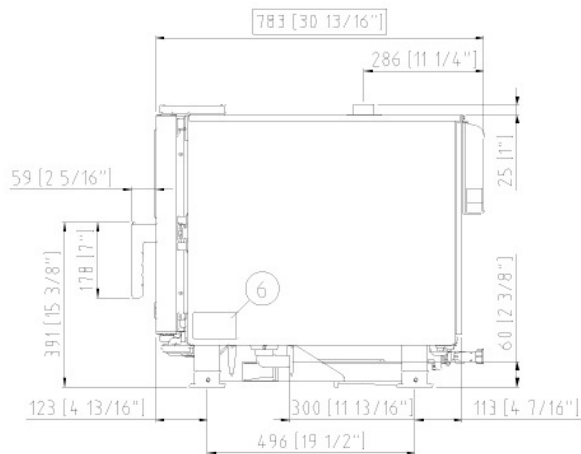
## App and web services

- **Data Driven Cooking app & webapp**: check and monitor in real-time the operating conditions of your ovens, create and share new recipes. Artificial intelligence transforms consumption data into useful information and allows you to increase daily profits
- **Top Training app**: download the Unox Top.Training app and learn step by step all the secrets of your new oven's control panel

## Accessories

- **Ventless hood**: steam condensing hood
- **Ventless hood with activated carbon filter**: steam condensing hood with activated carbon filter
- **SLOWTOP**: ideal solution for butchers and deli shops, that combines intense cooking processes with gentle ones, such as holding and night-time cooking
- **Neutral cabinet**: recommended solution to optimize your kitchen layout and always have everything in the right place
- **Stand**: the multifunctional support ideal for storing trays safely and placing your oven at the perfect height to work
- **QUICK.Load** and trolley system
- **Cooking Essentials**: special trays
- **DET&Rinse™ PLUS**: cleaning and rinse agents to combine maximum cleanliness with minimum consumption and long life for your oven
- **DET&Rinse™ ECO**: eco formula for daily cleaning and the utmost respect for the environment. Ideal for mild level of dirt.
- **DET&Rinse™ ULTRA**: cleaning and rinse agents to combine maximum cleanliness with minimum consumption and long life for your oven
- **PURE**: resin-based filtering system that eliminates from the water all substances that contribute to the formation of limescale inside the oven cooking chamber
- **PURE-RO**: Reverse osmosis system that eliminates Chlorides and limescale from water
- **Wi-Fi / Ethernet**: Connection board to keep the oven connected to Unox cloud, mandatory to extend the warranty

# XEVC-0511-E1RM-LP



## Dimensions and weight

|            |        |
|------------|--------|
| Width      | 750 mm |
| Depth      | 783 mm |
| Height     | 675 mm |
| Net weight | 66 kg  |
| Tray pitch | 67 mm  |

## Connection positions

|    |                             |
|----|-----------------------------|
| 2  | Terminal board power supply |
| 3  | Unipotential terminal       |
| 6  | Technical data plate        |
| 7  | Safety thermostat           |
| 8  | 3/4" female NPT water inlet |
| 10 | Rotor.KLEAN™ inlet          |

|    |                           |
|----|---------------------------|
| 11 | Chamber drain pipe        |
| 12 | Hot fumes exhaust chimney |
| 13 | Accessories connection    |
| 27 | Cooling air outlet        |



# XEVC-0511-E1RM-LP

## Electrical power supply

### STANDARD

|                           |                          |
|---------------------------|--------------------------|
| Voltage                   | 380-415 V                |
| Phase                     | ~3PH+N+PE                |
| Frequency                 | 50 / 60 Hz               |
| Total power               | 7 kW                     |
| Max Amp draw              | 11 A                     |
| Required breaker size     | 16 A                     |
| Power cable requirements* | 5G x 2,5 mm <sup>2</sup> |
| Plug                      | NOT INCLUDED             |

### OPTION A

|                           |                        |
|---------------------------|------------------------|
| Voltage                   | 220-240 V              |
| Phase                     | ~3PH+PE                |
| Frequency                 | 50 / 60 Hz             |
| Total power               | 7 kW                   |
| Max Amp draw              | 18 A                   |
| Required breaker size     | 25 A                   |
| Power cable requirements* | 4G x 4 mm <sup>2</sup> |
| Plug                      | NOT INCLUDED           |

### OPTION B

|                           |                        |
|---------------------------|------------------------|
| Voltage                   | 220-240 V              |
| Phase                     | ~1PH+PE                |
| Frequency                 | 50 / 60 Hz             |
| Total power               | 7 kW                   |
| Max Amp draw              | 30 A                   |
| Required breaker size     | 32 A                   |
| Power cable requirements* | 3G x 4 mm <sup>2</sup> |
| Plug                      | NOT INCLUDED           |

\*Recommended size - observe local ordinance. Cable not included.

## Water Supply

USING A WATER SUPPLY THAT DOES NOT MEET UNOX'S MINIMUM WATER QUALITY STANDARDS WILL VOID ANY WARRANTY.

It is the responsibility of the purchaser to ensure that the incoming water supply is compliant with the listed specifications through adequate treatment measures.

**Line pressure:** Drinking water inlet: 3/4" NPT\*, line pressure: 22 to 87 psi; 1.5 to 6 Bar (29 psi; 2 Bar recommended)

### Inflow water specifications

|                         |              |
|-------------------------|--------------|
| Free chlorine           | ≤ 0.5 ppm    |
| Chloramine              | ≤ 0.1 ppm    |
| pH                      | 7 - 8.5      |
| Electrical conductivity | ≤ 1000 μS/cm |
| Total hardness          | ≤ 30° dH     |
| Chlorides               | ≤ 120 ppm    |

### Steam circuit: inflow water specifications

|                |          |
|----------------|----------|
| Total hardness | ≤ 8 °dH  |
| Chlorides      | ≤ 25 ppm |

To avoid the formation of limescale the incoming water must have total hardness ≤ 8°dH.

\*This value refers to daily steam cooking of 1-2 hours. In any case, if with a total hardness ≤ 8°dH there is still production of limescale, it is mandatory to treat the water in order to avoid limescale production. Unox recommends water treatment systems based on ion exchange resins. Water treatment systems based on polyphosphate are not allowed.

## Installation requirements

Installations must comply with all local electrical systems, particularly as for minimum wire gauge required for field connection, hydraulic and ventilation supply. Exhaust and fume analysis must be performed in case of gas ovens.