

ITEM# _____

PROJECT _____

DATE _____

Pourover Coffee Brewer with 2 Warmers



Features

Low Profile Pourover Coffee Brewer

- Space saving 8.5" (21.6 cm) wide.
- Brews 3.8 gallons (14.4 liters) of perfect coffee per hour.
- Pourover brewer requires no plumbing – completely portable.
- Consistently brews perfect coffee.
- All stainless steel construction.
- Two separately controlled warmers.
- SplashGard[®] funnel deflects hot liquids away from the hand.
- For information on additional international models, please contact the International Division at international@bunn.com

Model VP17A-2*

(decanters not included)

Dimensions: 18.9" H x 8.5" W x 17.8" D
(48cm H x 21.6cm W x 45.2cm D)

For current specification sheets and other information, go to www.bunn.com.

* International models may vary in appearance.

Related Products

Paper Filter Pack

Product No. : 20115.0000

Packed per case: 1,000

Dimensions: 4¹/₄" Base x 2³/₄" Sidewall
10.8 cm Base x 6.98 cm Sidewall

Power Cord: 27728.0005



WX2-warmer

Product No. : 06310.0006

Two position warmer

Power Cord: 27728.0005



Easy Pour[®] black decanter

Product No. : 06100.0101

Quantity: 1 (also packaged in quantities of 2, 3, 6, 12, & 24)



Easy Pour[®] orange decanter (for decaf)

Product No. : 06101.0101

Quantity: 1 (also packaged in quantities of 2, 3, 6, 12, & 24)



International Model	Agency Listing
VP17A-2	CE

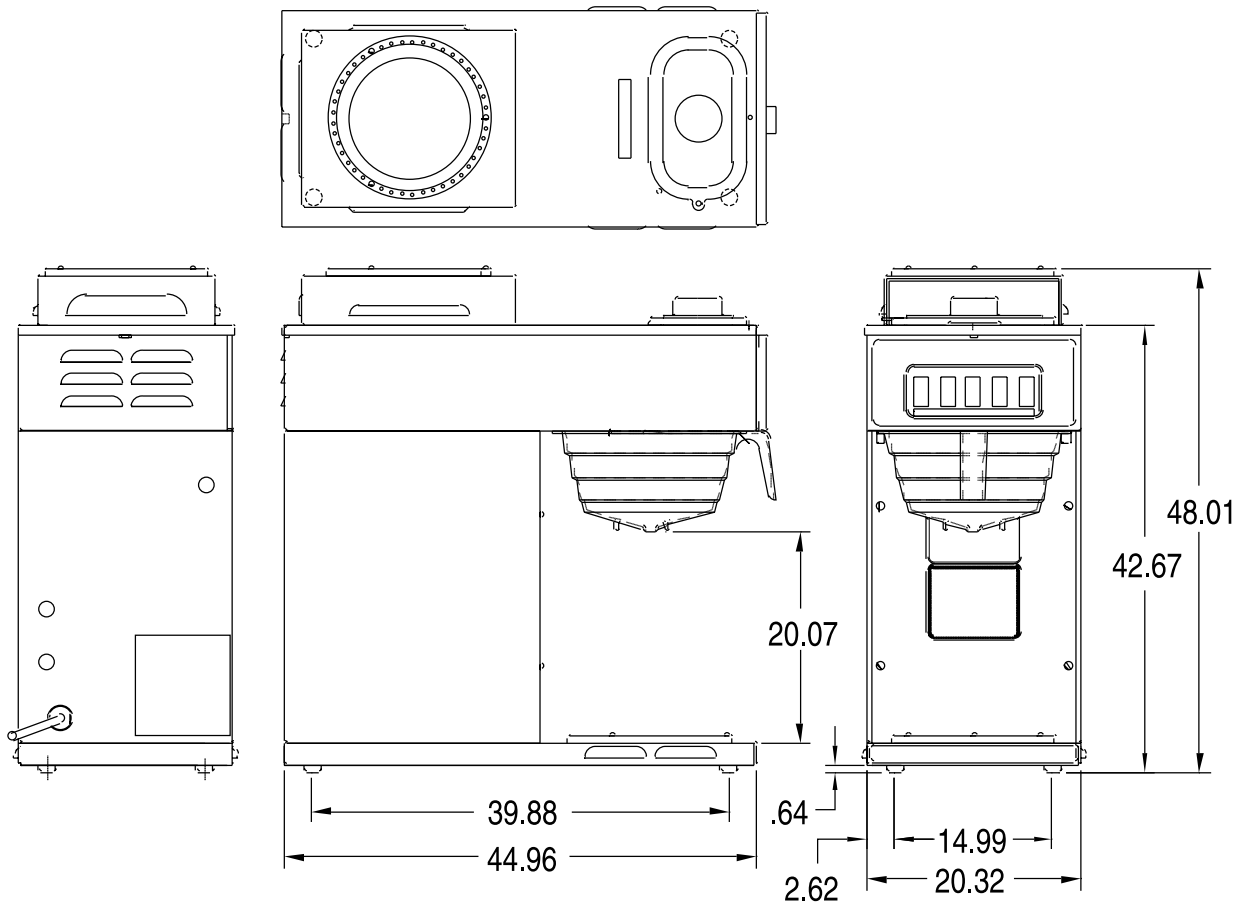
Dimensions & Specifications

Model	Product #	Volts	Amps	Tank Heater Watts	Total Watts	Brewing Capacity	Cubic Measure	Shipping Weight	Cord Attached
VP17A-2	13300.0015	230	9.8	1850	2260	5.2 gal./hr. (.02 L/hr.)	3.9 ft ³ (.11 m ³)	24 lbs. (10.9 kg)	No

Brewing capacity: based upon incoming water temp of 60°F/15°C (140°F/60°C rise) per 1/2 gallon (1.89 litre) brew time of 4 minutes.

Electrical: Models require 2-wires plus ground service rated 220-240V, single phase, 50/60 Hz.

Plumbing: No plumbing needed.



BUNN Corporation - 1400 Stevenson Drive Springfield, Illinois 62703 • USA • +1-217-529-6601 • Fax +1-217-529-2827 • www.bunn.com

BUNN® practices continuous product research and improvement. We reserve the right to change specifications and product design without notice. Such revisions do not entitle the buyer to corresponding changes, improvements, additions or replacements for previously purchased equipment.

All dimensions shown in centimeters. Bunn Corporation owns all copyrights relating to materials in this publication. Please contact Bunn Corporation to request permission to reproduce any portion of this publication.