

Ceramic Plate

4 Zones glass-ceramic hob

NECV74G
700 line

SILKO
IDEAS. WELL DONE

Electric glass-ceramic hob constructed Aisi 304 stainless steel. Equipped with 4 independent cooking zones, each with radiant heating elements diam. 230 mm, 2,5 kW output - controlled by an energy regulator. Sealed 6 mm thick glass-ceramic hob. Maximum temperature 400° C obtained in 3 minutes.

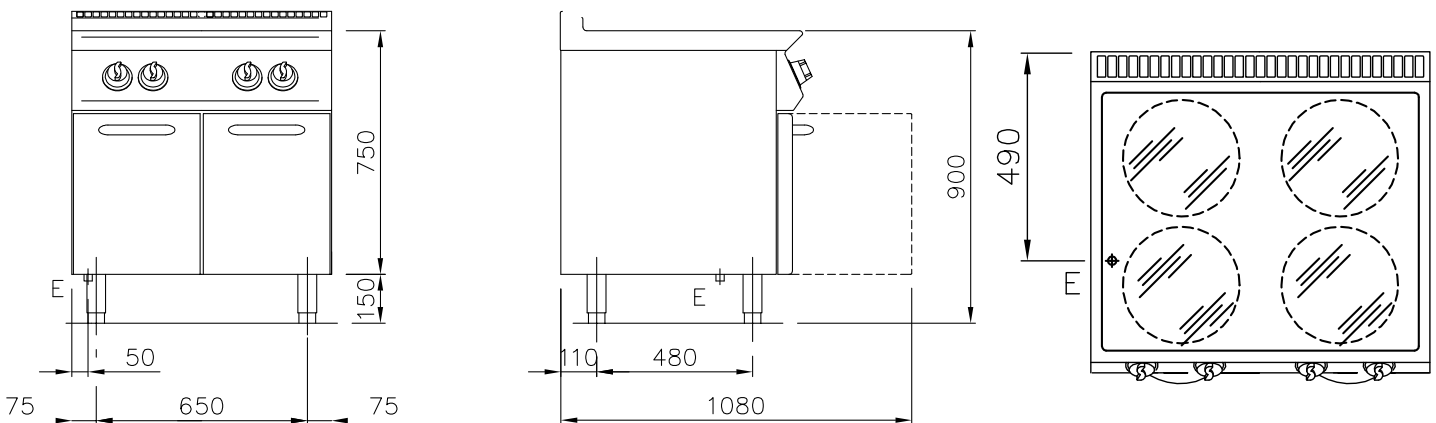
Hob dimensions: 750x570 mm The cooking zones are marked by silkscreened circles on the glass-ceramic surface and equipped with residual heat indicators. Indicator leds for verifying correct appliance operation. on 800 mm open base. Appliance equipped with height adjustable feet in stainless steel.



Width mm.: 800
Depth mm.: 730
Height mm.: 900
Weight kg.: -
Volume m³: 0,8

Voltage: El. VAC400-3N 50/60 Hz
PowerkW.: 10

Gas Power (kw): -



NOTE

- All dimensions reported on the drawing are meant with finished tiled-floor and side walls
- Main gas connections must be provided of closing gate device
- Mass connections must not use welded tubes
- Gas connections must be settled according to current rules in the country
- Electric connections must be provided of safety switch and a minimum exit wire of 1,5 meter length (except where otherwise required in the drawing) - All sockets must be built according to safety-rules in force. Suited for humid room and settled with necessary plug
- All electric connections must be provided of main switch

E = Electric

Silko - Ali S.p.A.
Via Cal Larga, 8
Z.I San Giacomo di Veglia
31029 Vittorio Veneto
(TV) ITALY
T (+39) 0438 911930
F (+39) 0438 506291
info@silko.it

www.silko.it